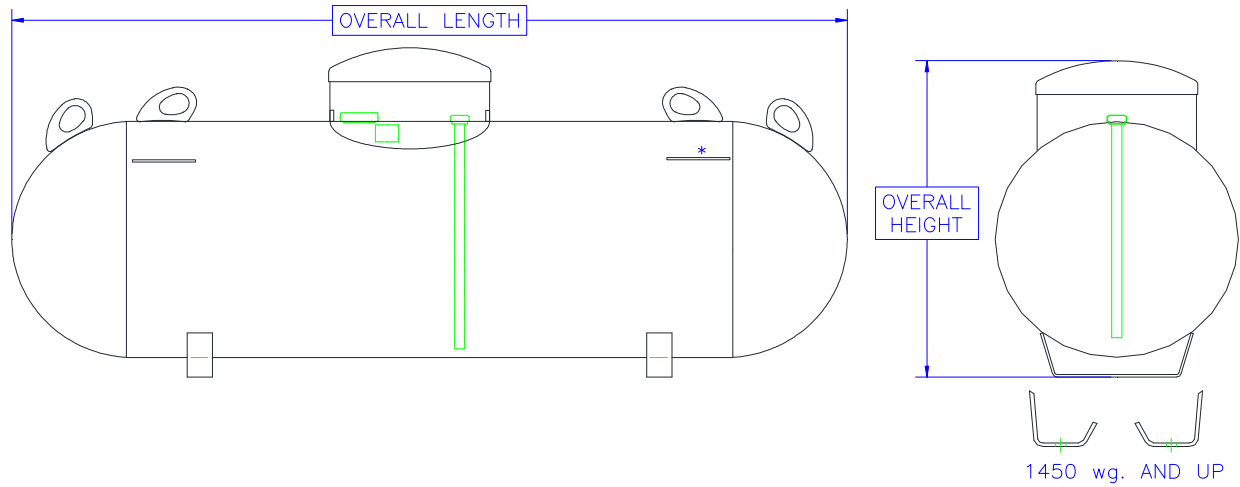


# Quality Steel Corporation UG Propane Tanks



APPROXIMATE UNDERGROUND VESSEL DIMENSIONS AND SPECIFICATIONS

WATER CAPACITY	DIAMETER (OD)	HEAD TYPE	OVERALL LENGTH	OVERALL HEIGHT		LEG** WIDTH	WEIGHT (lbs.)	***QUANTITY	
				UGSR	UGLR			FULL LOAD	PER STACK
120 wg.	24"	Ellip.	5'-8"	3'-10"	4'-5"	1'-1 1/2"	260	108   96	16   12
250 wg.	30"	Hemi.	7'-10"	4'-6"	5'-1"	1'-5"	480	54	9
320 wg.	30"	Hemi.	9'-7"	4'-6"	5'-1"	1'-5"	620	45	9
500 wg.	37 1/2"	Hemi.	10'	5'	5'-7"	1'-8"	950	37   30	8   6
1000 wg.	41"	Hemi.	16'	5'-3"	5'-10"	1'-8"	1,800	17   15	6   5
1450 wg.	46 1/2"	Ellip.	17'-4"	5'-9"	6'-4"	1'-9"	2,650	12	4
1990 wg.	46 1/2"	Ellip.	23'-11"	5'-9"	6'-4"	1'-9"	3,550	8	4

Dimensions and specifications shown are approximate. Individual vessels may vary.

\* Dual lifting lugs for 500 and 1000 wg. standard tanks.

\*\* Leg widths and spacing may vary based on mfg. location. Check with your salesperson for details. 120, 250, 320 wg. standard tanks - no holes in legs (one center hole on request). 500 and 1000 wg. standard tanks - 2 holes 16" on center. 1450 wg. and up as shown above.

\*\*\* Full load and stack quantities vary by shipping location. Check with your salesperson for details.

### General Specifications

- Conforms to the latest edition of ASME Rules for Construction of Pressure Vessels, Section VIII, Division 1. Complies with NFPA 58.
- Rated at 250 psig from -20° F to 125° F. All vessels registered with National Board. Some standard vessels available with CRN (Canadian Registration Number).
- Vessels shipped with durable ready-to-bury coating. Vessels, depending on manufacturing location, are either powder coated with phenolic epoxy, painted with a single application urethane coating, or primed with liquid epoxy and coated with liquid epoxy top coat - all providing a durable ready-to-bury coating.
- All vessels are shipped vacuum pre-purged to enable simplified first fill of the vessel.
- Green composite dome provides large working space and is resistant to the elements. Anode stud attached to riser pipe to enable ease of cathodic connection.

Applicable federal, state, or local regulations may contain specific requirements for protective coatings and cathodic protection. The purchaser and installer are responsible for compliance with all federal, state, local and NFPA industry regulations, including proper purging for first fill per NGPA 133-89(a). Cathodic protection required. Coating must be continuous and uninterrupted and must comply with an local, state or national code.